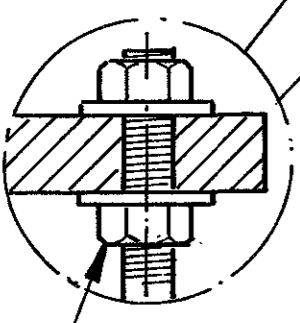
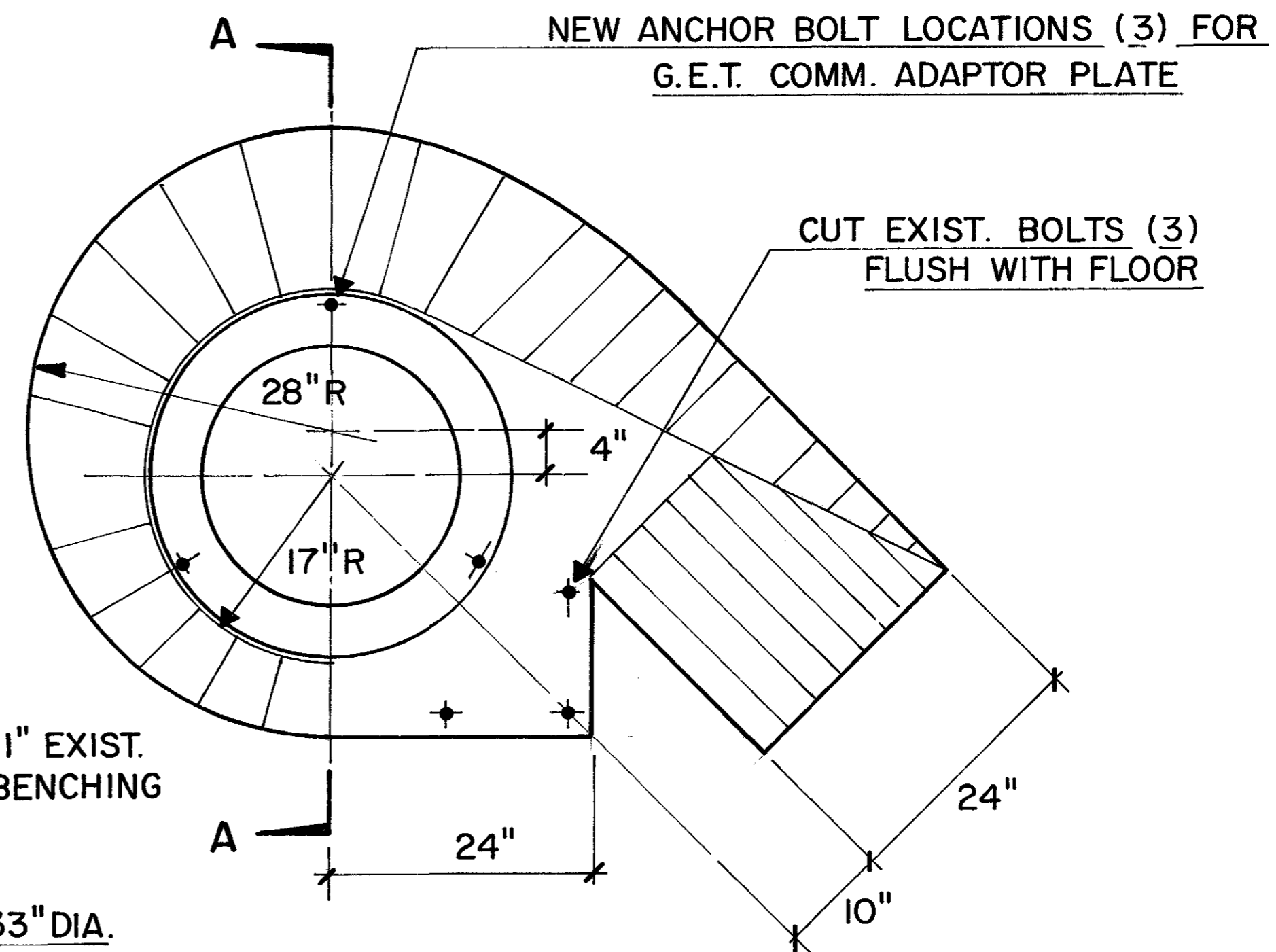
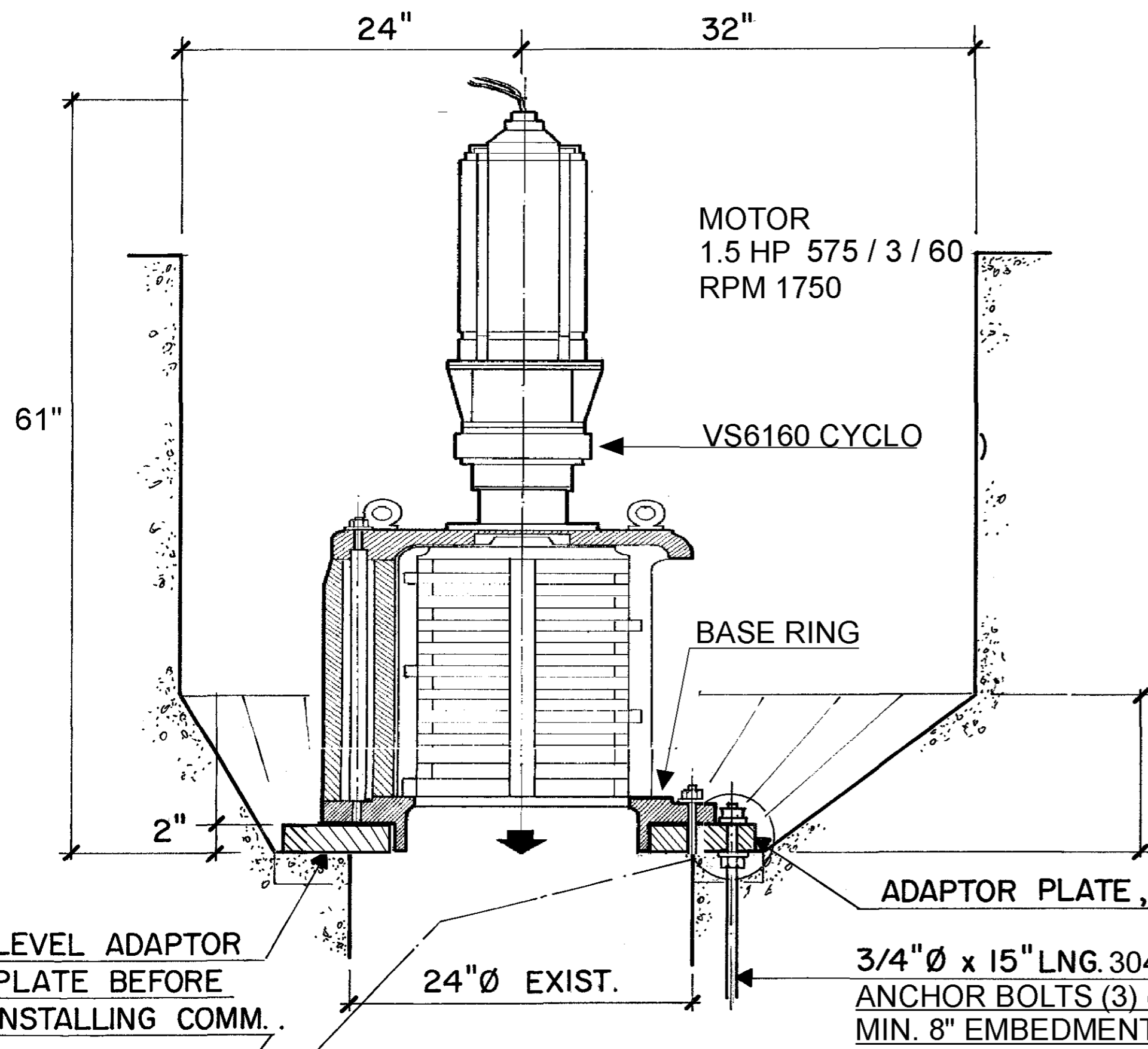


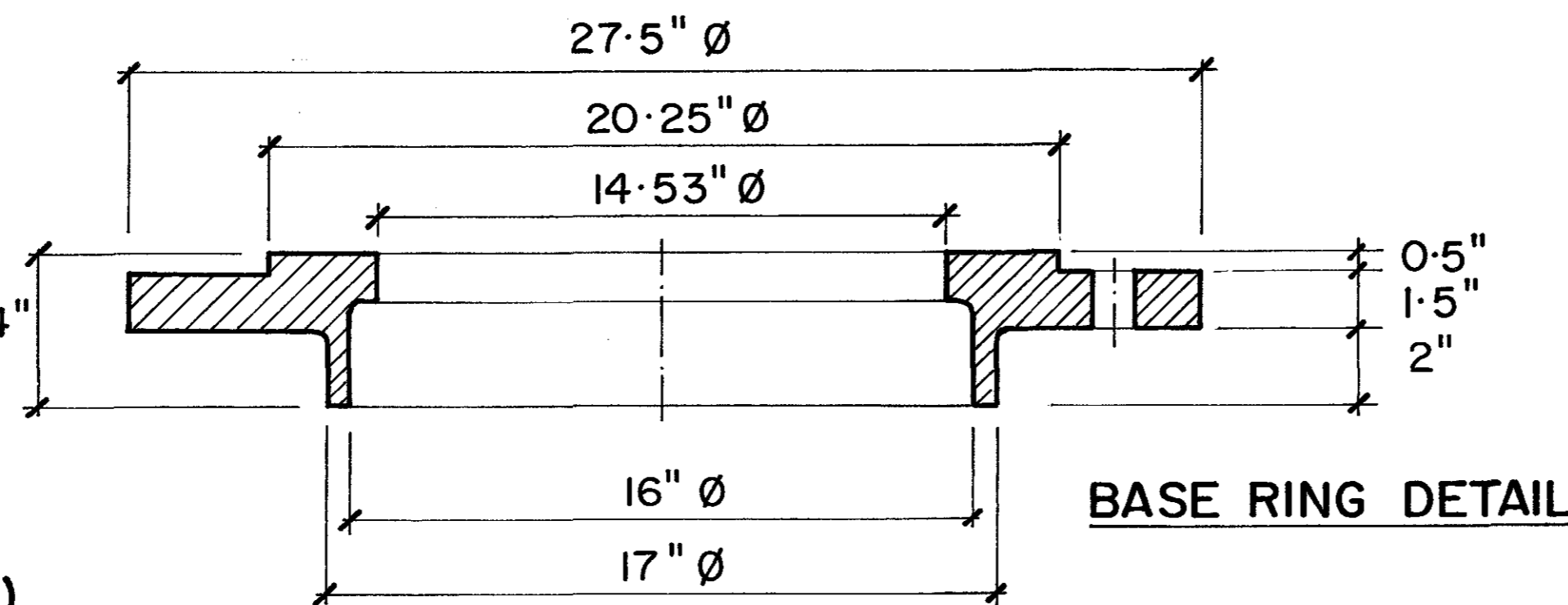
**Grind Hog**™

# COMMINUTOR MODEL 16A (CAPACITY: 3.5 USMGD) REPLACEMENT OF CHICAGO PUMP MODEL 25M




ADJUST 3/4" NUTS (3), BELOW ADAPTOR PLATE, TO LEVEL COMMUNUTOR PRIOR TO GROUTING

**SECTION A-A**



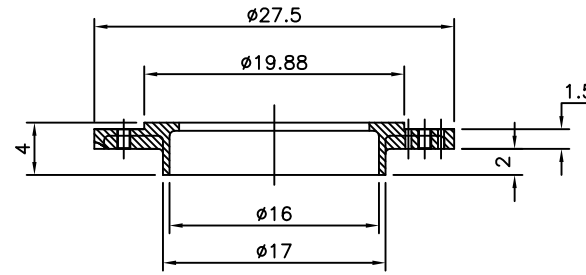
COMMINUTOR WEIGHT :  
**900 LB ( 408 KG )**

**TYPICAL COMMUNUTOR BASIN CLOCKWISE ROTATION SHOWN**

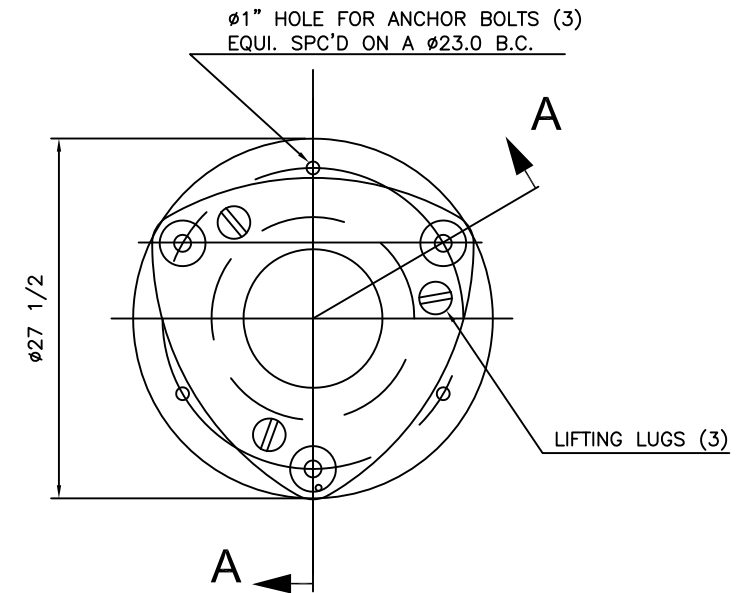
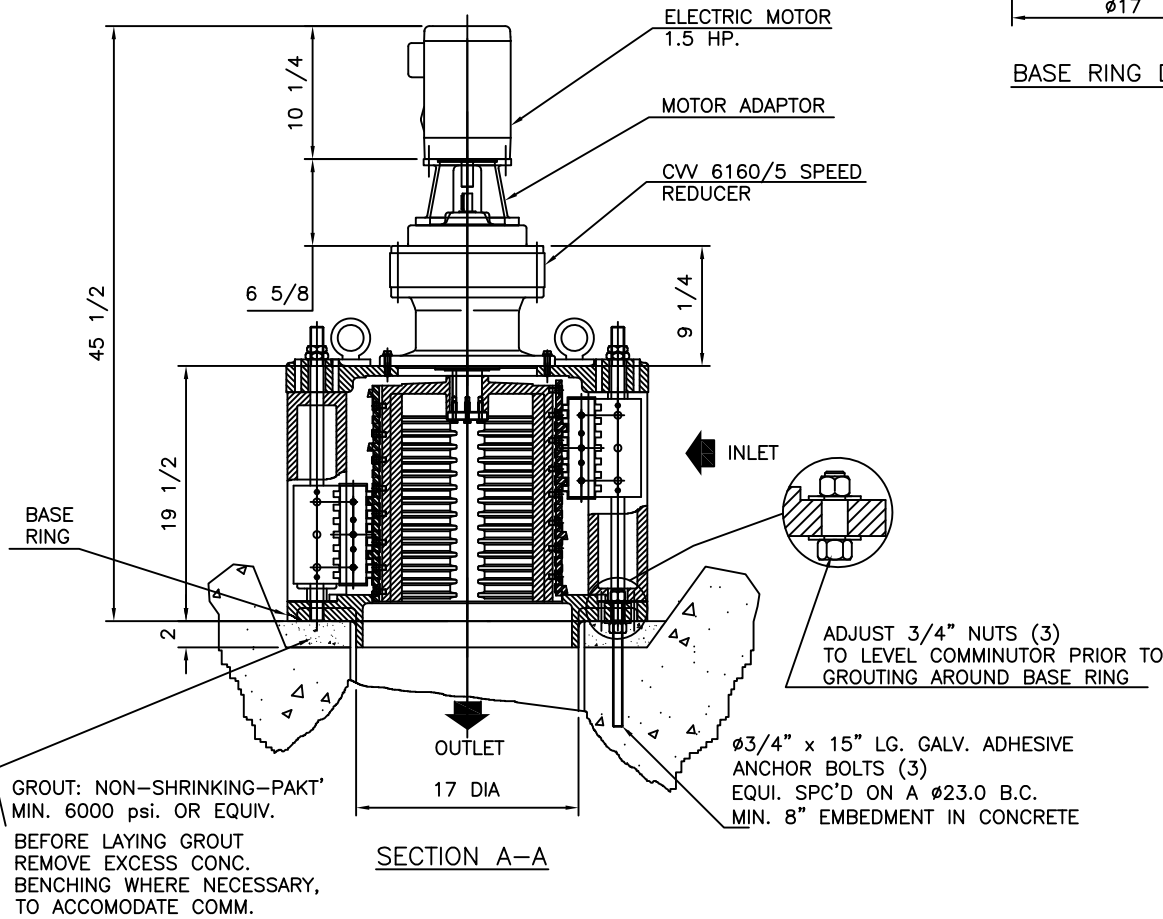
REVISIONS		BY	DATE	APP.
 <b>G.E.T. INDUSTRIES INC.</b> (877) 213-7418 www.grindhog.com				
TOLERANCES				SCALE
±				
DECIMAL				DRAWN BY
±				
FRACTIONAL				APPROVED BY
±				
ANGULAR				
±				
DATE	PROJECT NO.	DRAWING NO.		REV.
Nov. 2016		9 0033		

# MODEL 16A STANDARD

SERIAL No. X

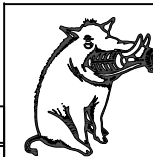


BASE RING DETAIL



## MATERIALS OF CONSTRUCTION & GENERAL ENGINEERING DATA

HOUSING:	GREY IRON	CAPACITY:	3.5 MGD (US) / 13200 m <sup>3</sup> / day	INLET AREA:	202 SQ IN 1303 cm sq
DRUM (SCREEN):	DUCTILE IRON (ASTM 536 GRADE 60-45-18)	DRUM SPEED:	30RPM	OUTLET AREA:	121 SQIN 780.6 cm sq
SHEAR BARS:	AISI-A 2 HIGH ALLOY TOOL STEEL	ROTATION:	CLOCKWISE	DRUM DIAMETER:	14.5 IN 36.8 cm
CUTTING BARS:	AISI- 01 TOOL STEEL REVERSIBLE	SLOT WIDTH:	.470 IN / 12 mm	WEIGHT:	750 LBS 340 kg
HARDWARE & FASTENERS:	304 STAINLESS STEEL	NO. OF SLOTS:	56		
MOTOR MANUFACTURER:	-	POWER:	-	RPM:	1750
STYLE:	TEFC	HP:	1.5	KW:	1.12
		FRAME:	145 TC	FLANGE:	"C"
				RATIO:	59:1
				REDUCER:	SM-CYCLO
				MODEL:	V6160
				RATING:	7.72 HP



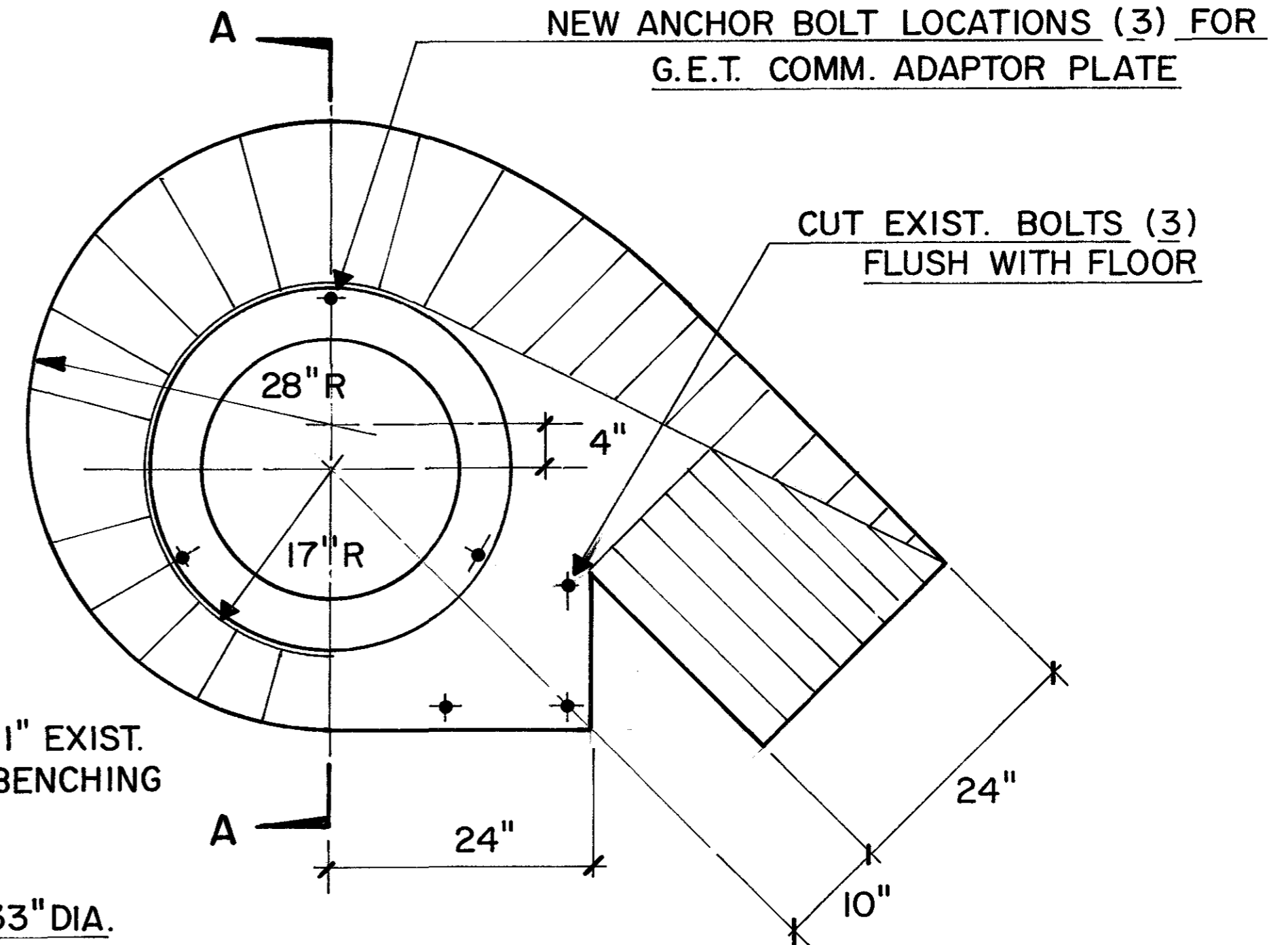
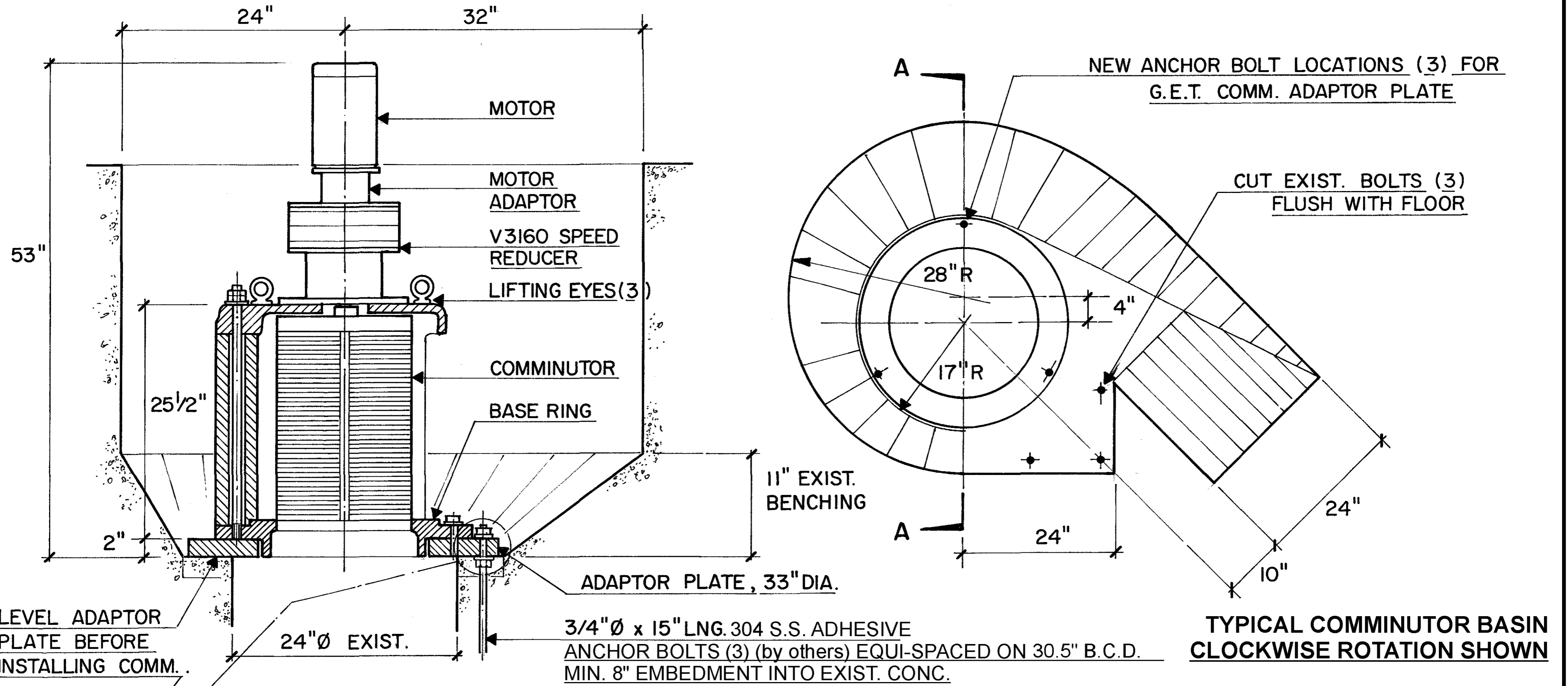
**G.E.T. INDUSTRIES INC.**

get@grindhog.com  
www.grindhog.com  
1 (877) 213-7418

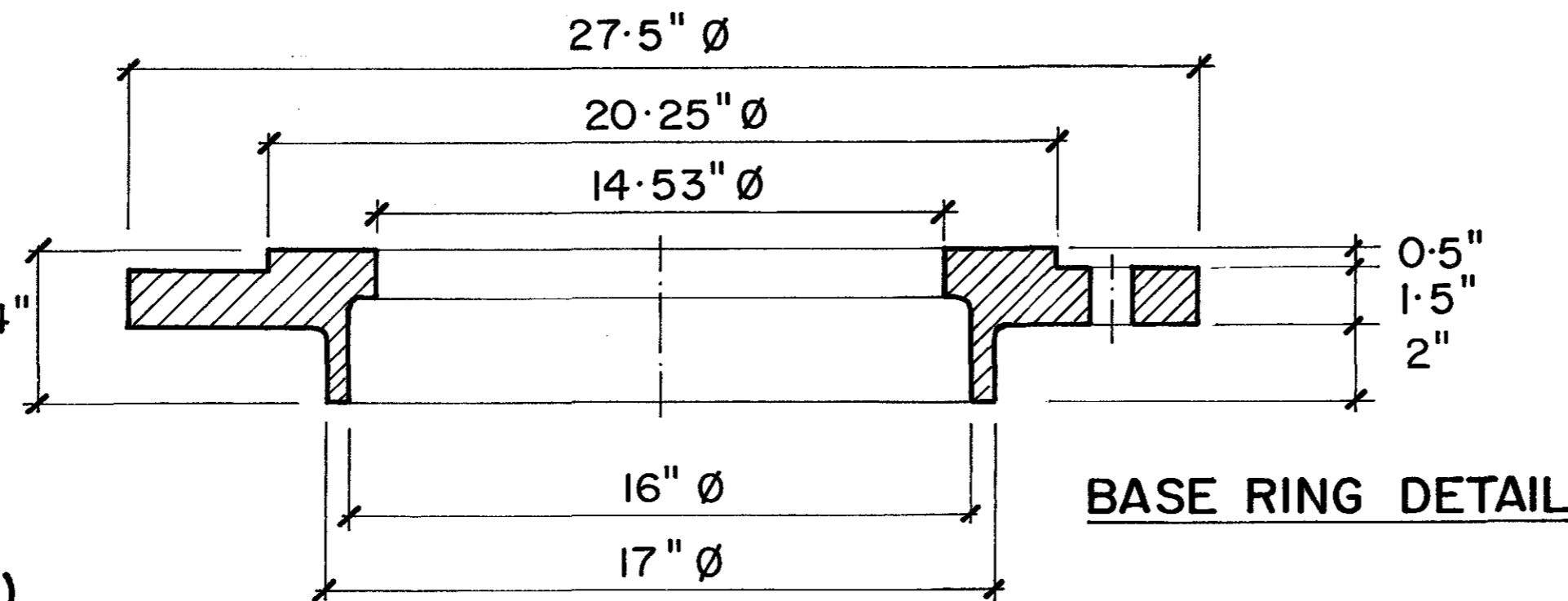
TOLERANCES	DIMENSIONAL DETAIL	SCALE	
DECIMAL		NTS	
FRACTIONAL		DRAWN BY G.P.	
ANGULAR		APPROVED BY W.D.M.	
DATE	FILE NO.	DWG NO.	REVISION
MAR. 2012	-	6 0200	

# Grind Hog MODEL 16B (CAPACITY: 4.5 USMGD)


## REPLACEMENT OF CHICAGO PUMP MODEL 25M



**TYPICAL COMMINUTOR BASIN CLOCKWISE ROTATION SHOWN**

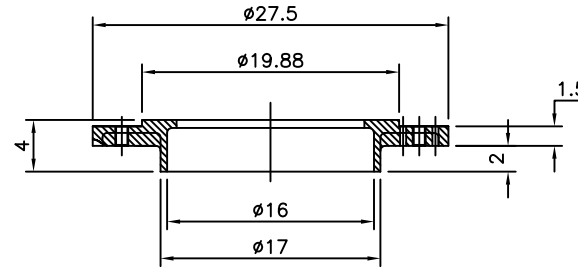


**COMMUNUTOR WEIGHT :**  
**900 LB ( 408 KG )**

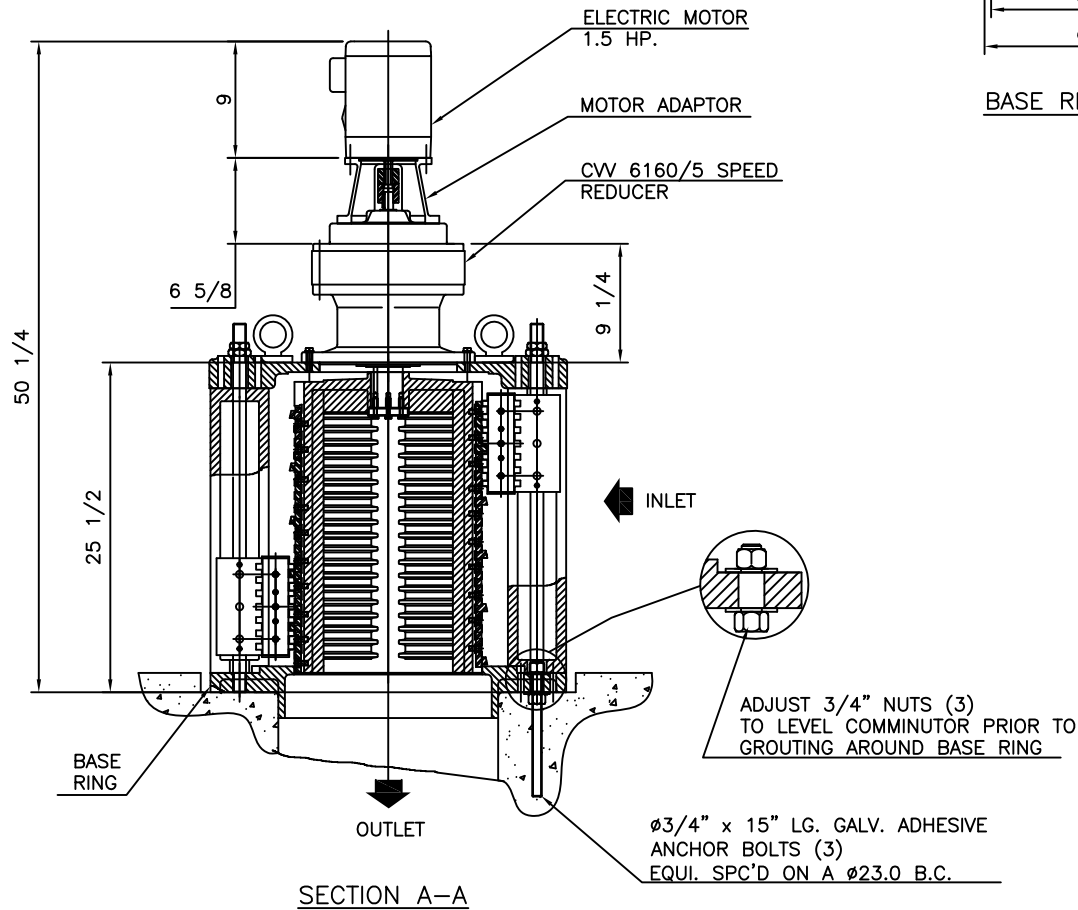
REVISIONS	BY	DATE	APP.
 <b>G.E.T. INDUSTRIES INC.</b> (877) 213-7418 www.grindhog.com			
TOLERANCES			SCALE
±			
DECIMAL			DRAWN BY
±			
FRACTIONAL			APPROVED BY
±			
ANGULAR			
±			
DATE	PROJECT NO.	DRAWING NO.	REV.
		9 0035	

# MODEL 16B STANDARD

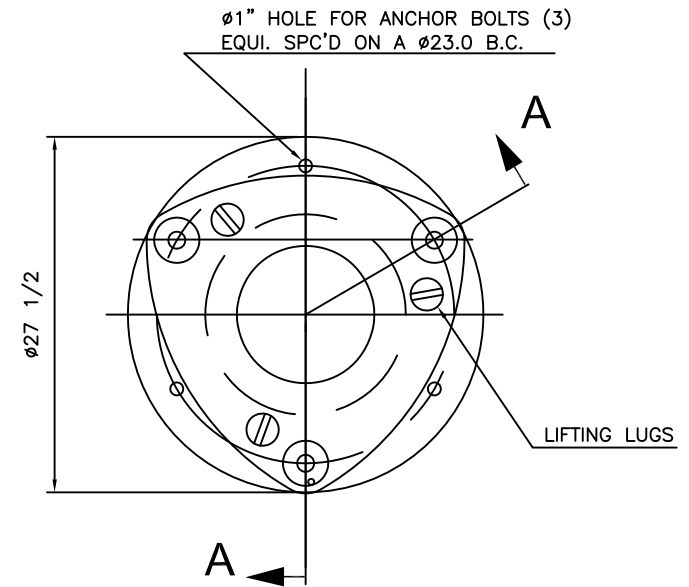
SERIAL No. X



BASE RING DETAIL



SECTION A-A



TOP VIEW OF COMMINUTOR

## MATERIALS OF CONSTRUCTION & GENERAL ENGINEERING DATA

HOUSING:	GREY IRON	CAPACITY	4.5 MGD (US) / 17000 m3/ day	INLET AREA	274 SQ IN	1767 cm sq							
DRUM (SCREEN):	DUCTILE IRON (ASTM 536 GRADE 60-45-18)	DRUM SPEED	30 RPM	OUTLET AREA	121 SQ IN	780.6 cm sq							
SHEAR BARS:	AISI-A2 HIGH ALLOY TOOL STEEL	ROTATION	CLOCKWISE	DRUM DIAMETER	14.5 IN	36.8 cm							
CUTTING BARS:	AISI-01 TOOL STEEL REVERSIBLE	SLOT WIDTH	.470 IN / 12 mm	WEIGHT	850 LB	385 kg							
HARDWARE & FASTENERS:	304 STAINLESS STEEL	No. OF SLOTS	76										
MOTOR MANUFACTURER:		POWER:	X	RPM:	1750	REDUCER:	SM - CYCLO	MODEL:	V6160				
STYLE:	TEFC (IP55)	HP:	1.5	KW:	1.12	FRAME:	56C	FLANGE:	'C'	RATIO:	59:1	RATING:	7.72 HP

**G.E.T. INDUSTRIES INC.**

get@grindhog.com  
www.grindhog.com

1 (877) 213-7418

TOLERANCES	INFO.	SCALE
DECIMAL	INFO.	NTS
FRACTIONAL	INFO.	DRAWN BY
ANGULAR	INFO.	G.P.
DATE	INFO.	APPROVED BY
	INFO.	W.D.M.
DWG. No.	6 0230	REV.





## RETROFITTING CHICAGO PUMP COMMINUTORS



All models... All installation arrangements







# CHICAGO PUMP COMMINUTOR Retrofit Questionnaire

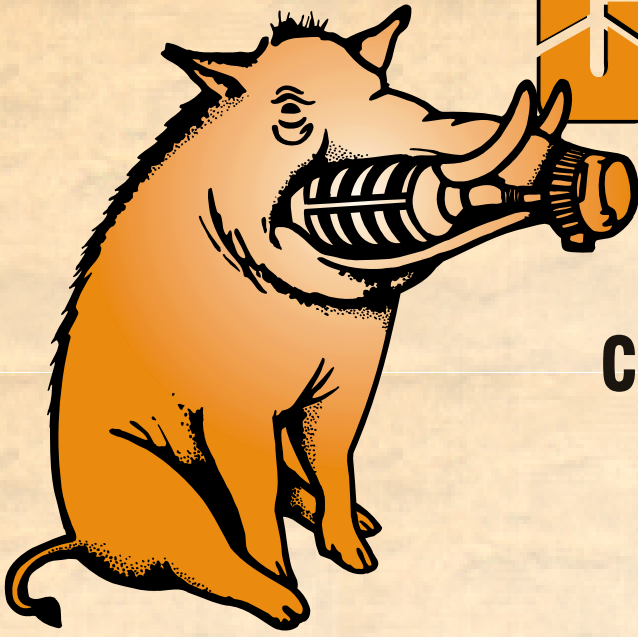


- Model of existing unit
- Existing characteristics of power supply
- Drive arrangement - close coupled, support column - elevated drive
- Photos of current installation
- Desired capacity (gpm) of replacement unit
- Dimensional detail of structure.... (i.e. free discharge or controlled discharge)
- Details of existing Control Panel (if any)
- Distance of the high water mark above the basin floor



**G.E.T. Industries Inc.**

T: 877-213-7418 / [www.grindhog.com](http://www.grindhog.com)



# Grind Hog<sup>TM</sup>

**16ASX - 3.5 MGD**

**CLEONA BOROUGH AUTHORITY  
PENNSYLVANIA  
2005**

**REPRESENTATIVE**

**Envirep Inc  
Camp Hill, PA**



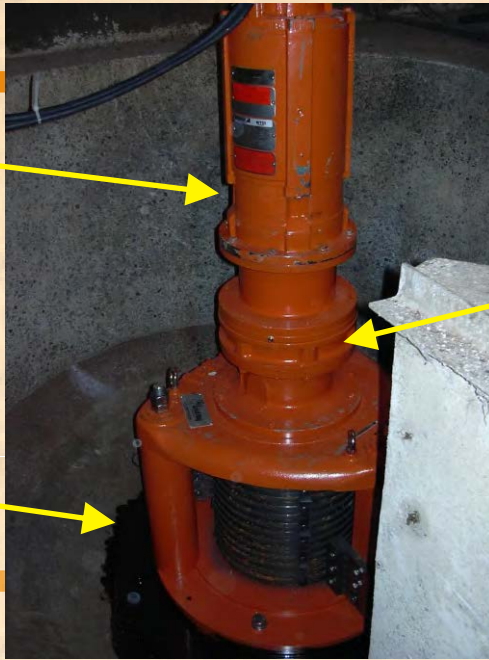
**Basin of previously installed  
Chicago Pump 25M**



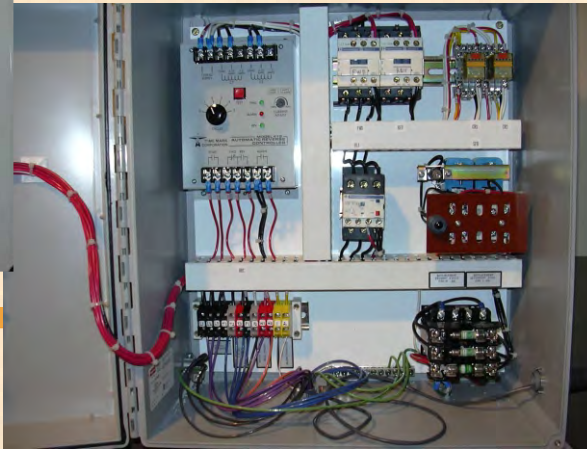
# RELIANCE ELECTRIC

Submersible Explosion Proof Wastewater Motor Suited to Continuous-In-Air or Submerged-In-Sewage Service

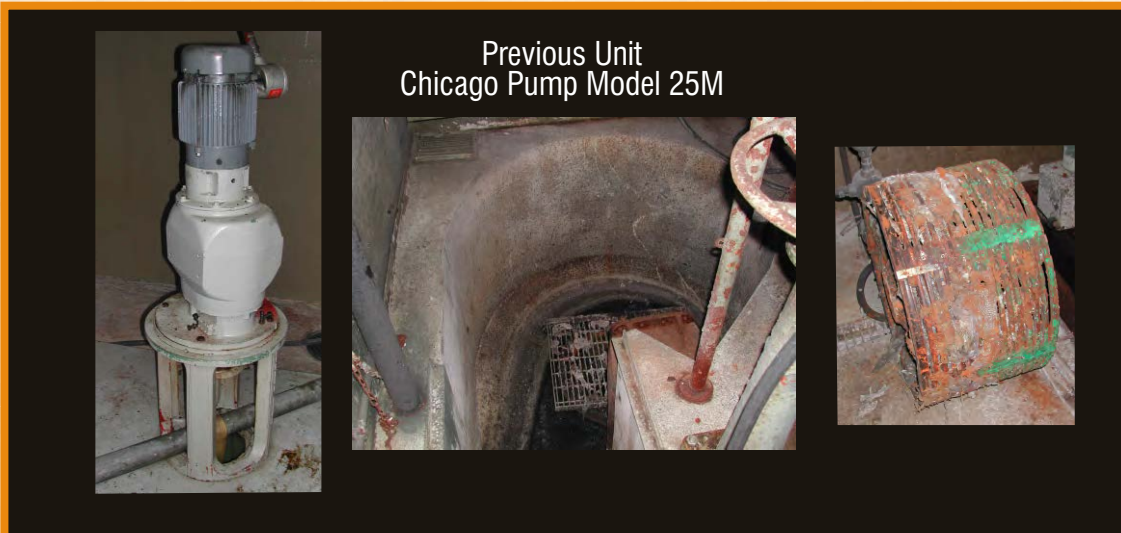
Mounting Plate: Anchor bolts coincide with curb ring of Model 24A - facilitates optional future installation of 10 MGD machine



**UNMATCHED RELIABILITY, EXCEPTIONAL PERFORMANCE**  
Cyclo speed reducers and gear motors are designed to withstand shock loads exceeding 500% of their ratings



Grind Hog™  
Reverse Clearing  
Controller - NEMA 4X



## G.E.T. INDUSTRIES INC.

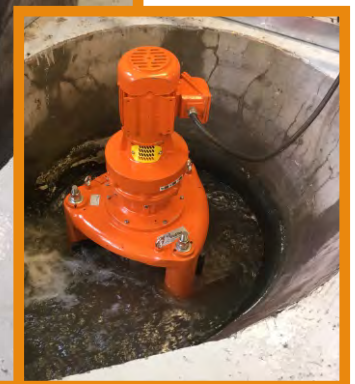
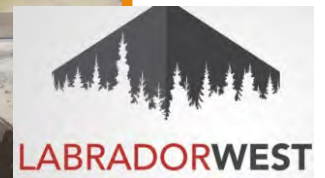
Toll Free: (877) 213-7418  
E-mail: [get@grindhog.com](mailto:get@grindhog.com) ♦ Web: [www.grindhog.com](http://www.grindhog.com)





Installation on mounting plate fabricated to suit existing basin

Previous  
Chicago Pump 25M



## G.E.T. INDUSTRIES INC.

Toll Free: (877) 213-7418  
E-mail: [get@grindhog.com](mailto:get@grindhog.com) ♦ Web: [www.grindhog.com](http://www.grindhog.com)

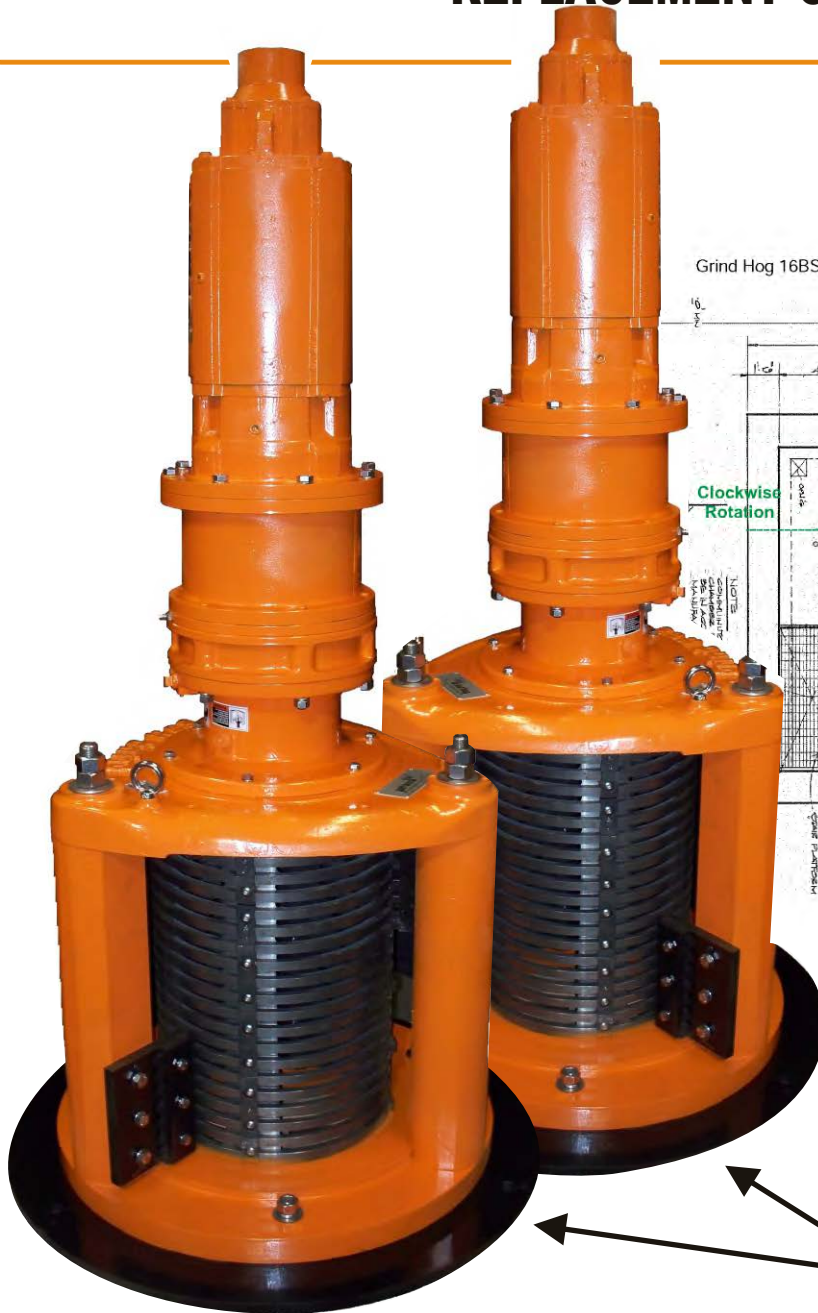


# Grind Hog <sup>T.M.</sup>

## BERLIN TURNPIKE PUMP STATION - BERLIN, CT

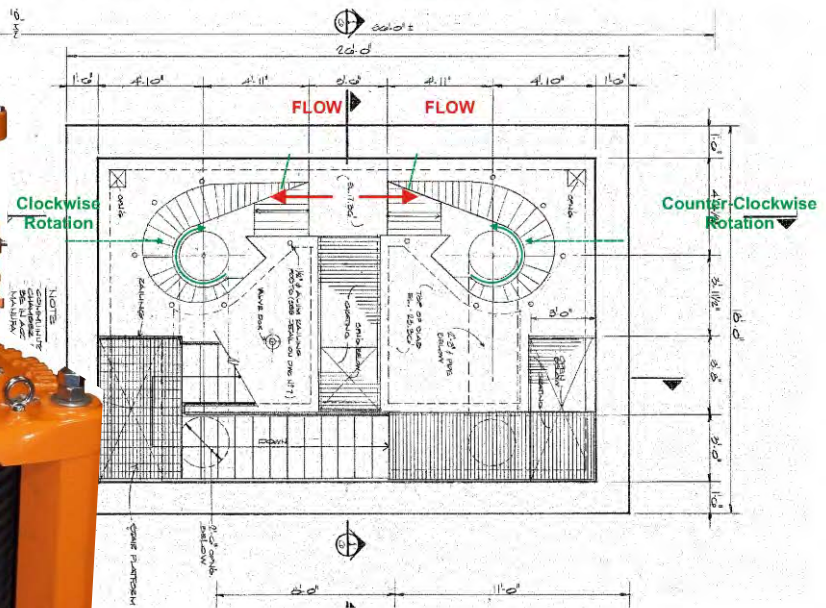


### REPLACEMENT OF CHICAGO PUMP 25A



CHICAGO PUMP 25A BASIN DETAIL

Grind Hog 16BSX Ser. 9151 Clockwise Rotation, Ser. 9152 Counter Clockwise Rotation



**Grind Hog™ 16BSX**  
One - Clockwise  
One - Counter-Clockwise

Mounting Plates  
to Suit Existing Basins





**Grind Hog™**

**GRIND HOG™ 16A**

**VILLAGE OF WEBSTER**  
**Webster, NY**

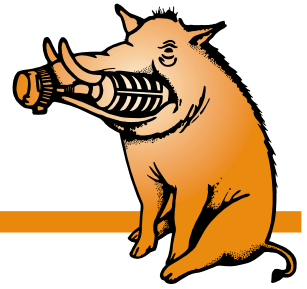


**Retrofitting Chicago Pump 25M**



# GRIND HOG™ 16A

## RETROFITTING CHICAGO PUMP 25M



Using Existing  
Channel  
& Custom Adaptor Plate  
GRIND HOG™ 16A



Previous  
Chicago Pump 25M

